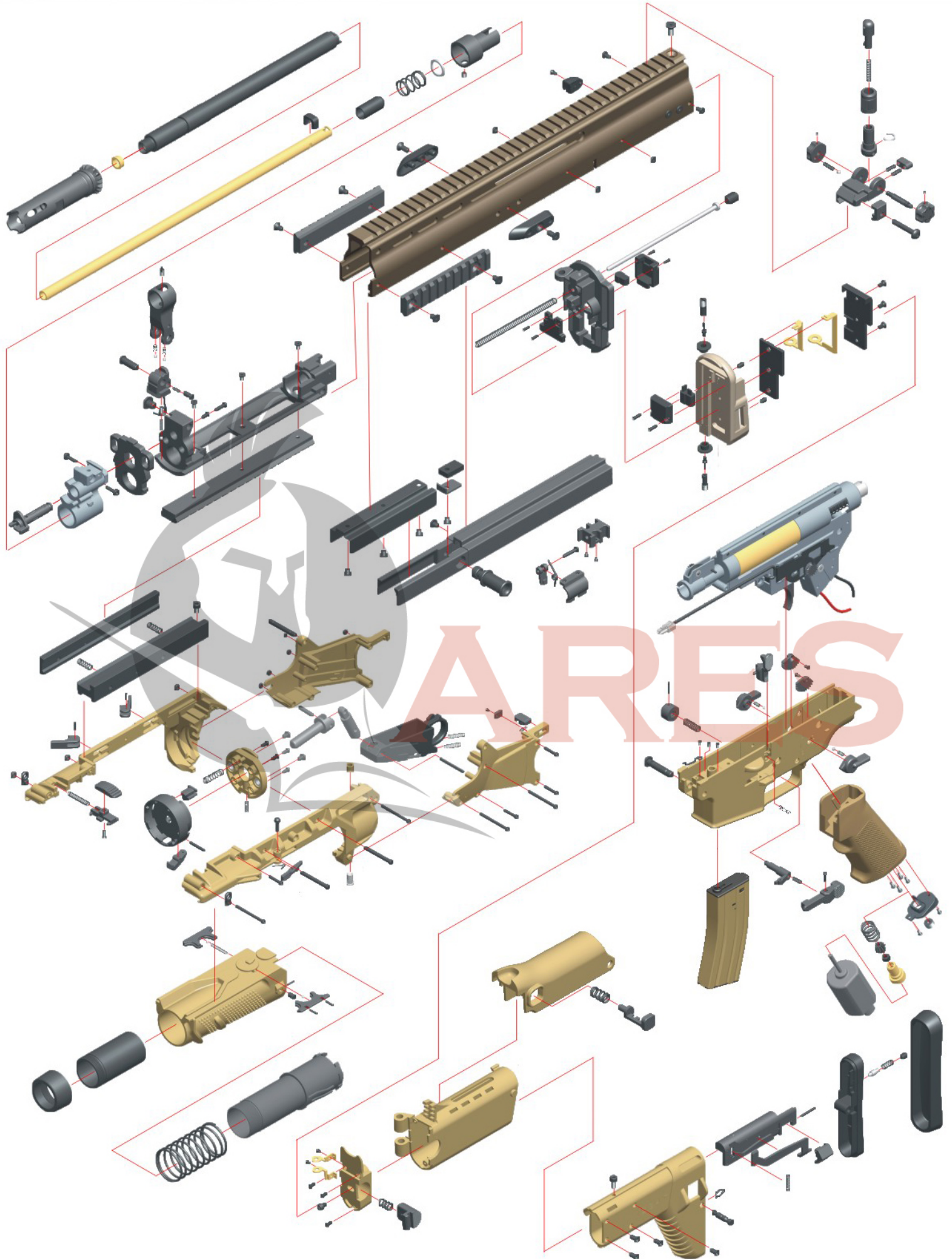
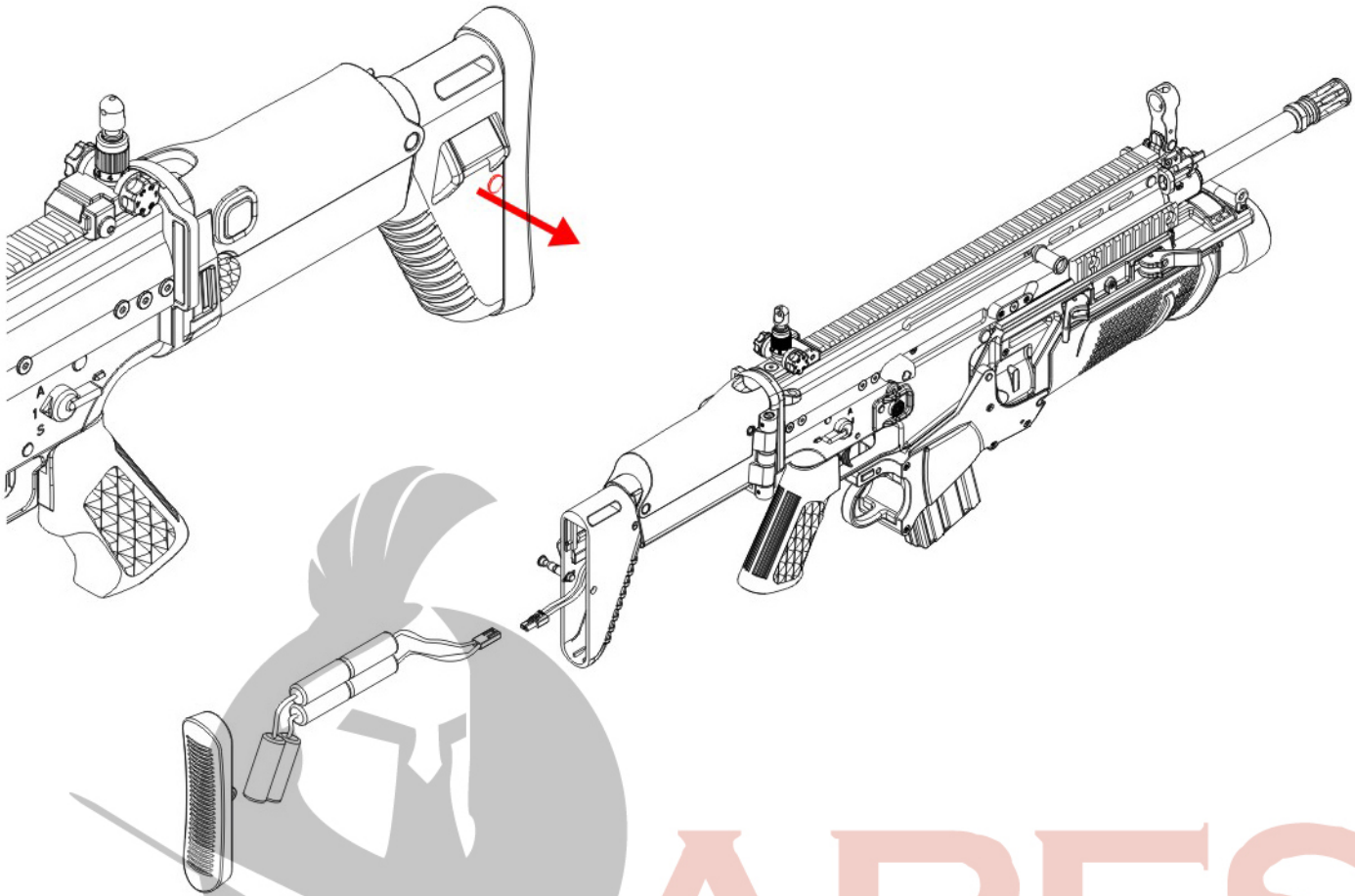


SCAR EXPOSE PLAN

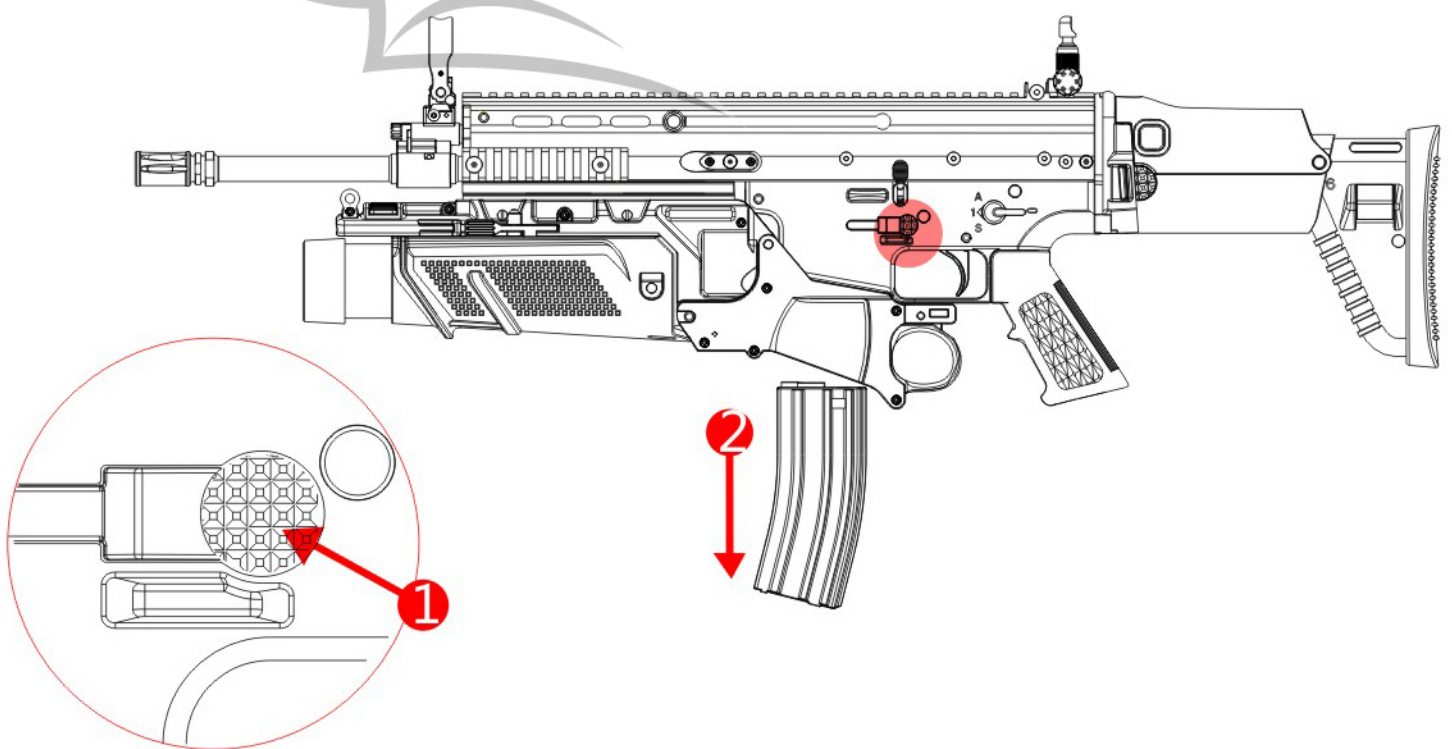


BATTERY INSTALLATION

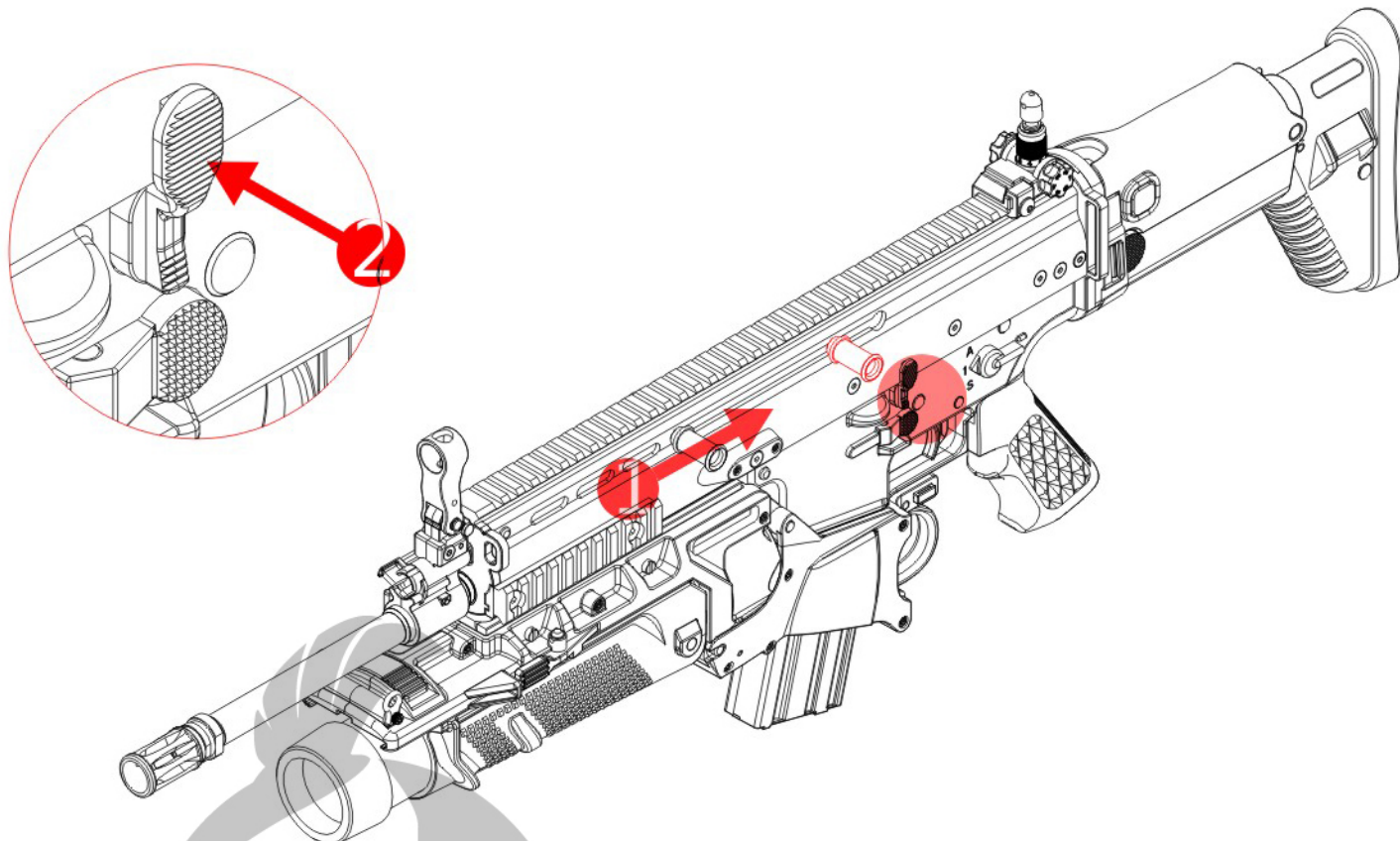
USE THE SPECIFIED BATTERY FOR YOUR GUN 9.6V 1700MAH



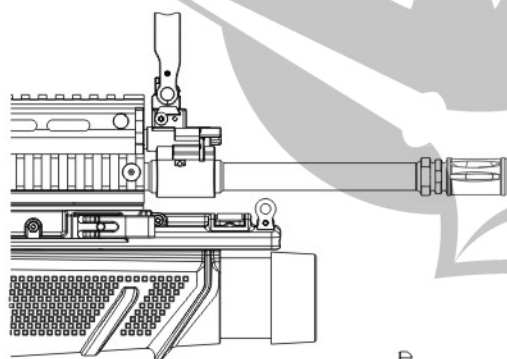
SETTING THE MAGAZINE



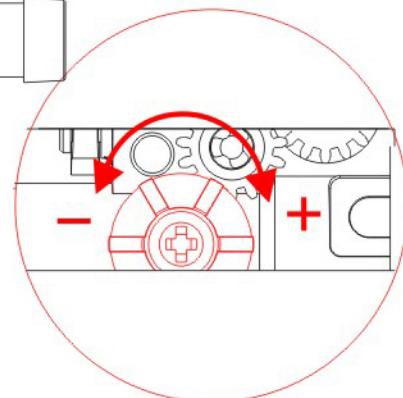
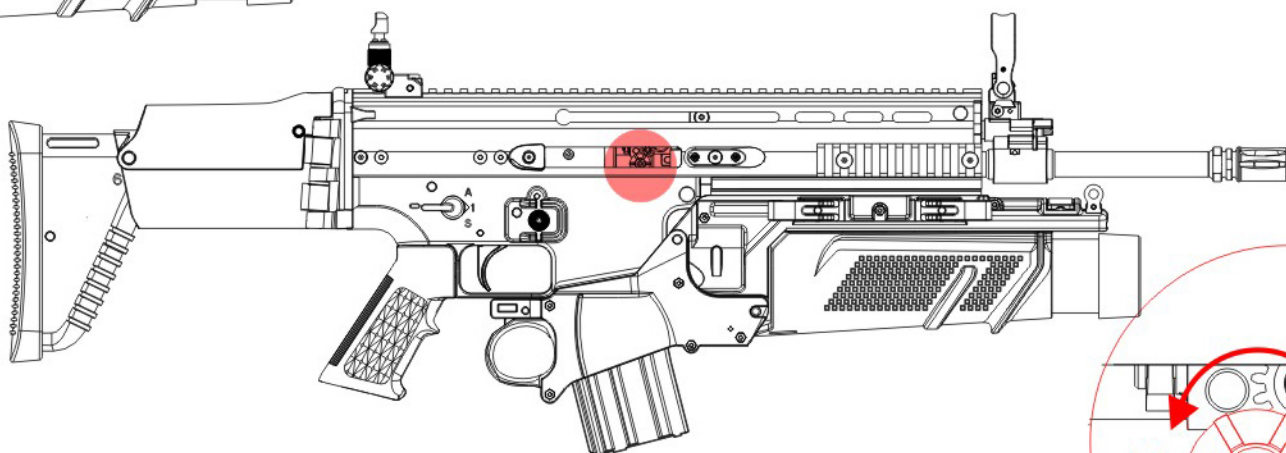
BOLT LOCK & RELEASE



HOP-UP ADJUSTMENT

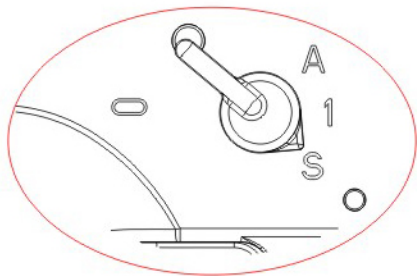


- EXCESSIVE HOP UP +
- BEST POSITION
- NOT ENOUGH HOP UP -

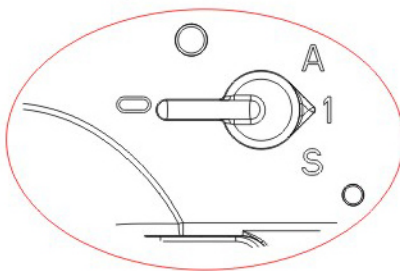


FIRING MODE

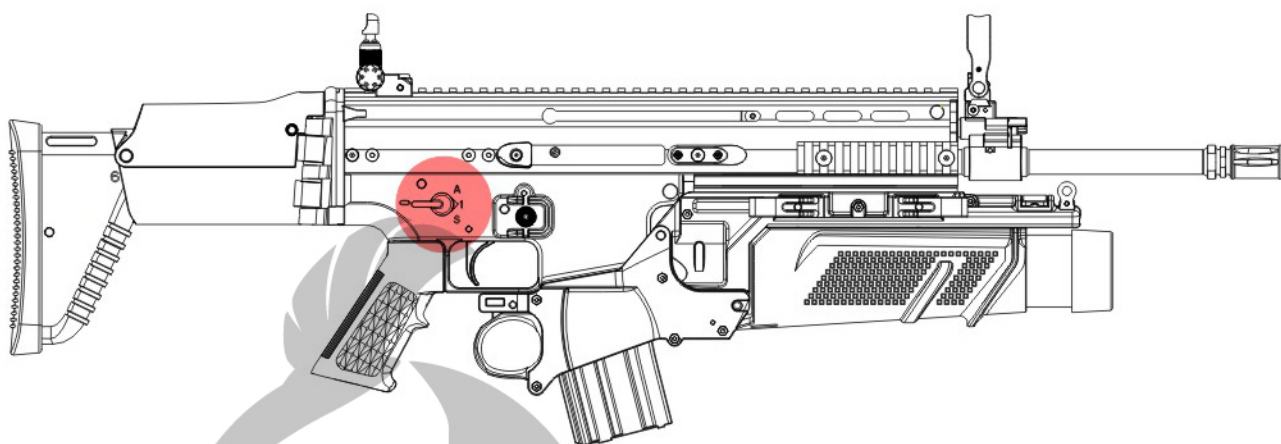
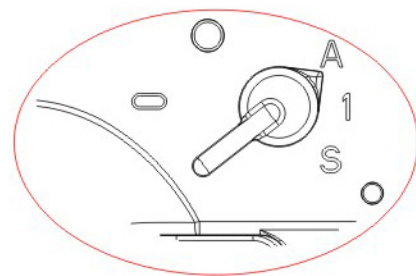
SAFETY



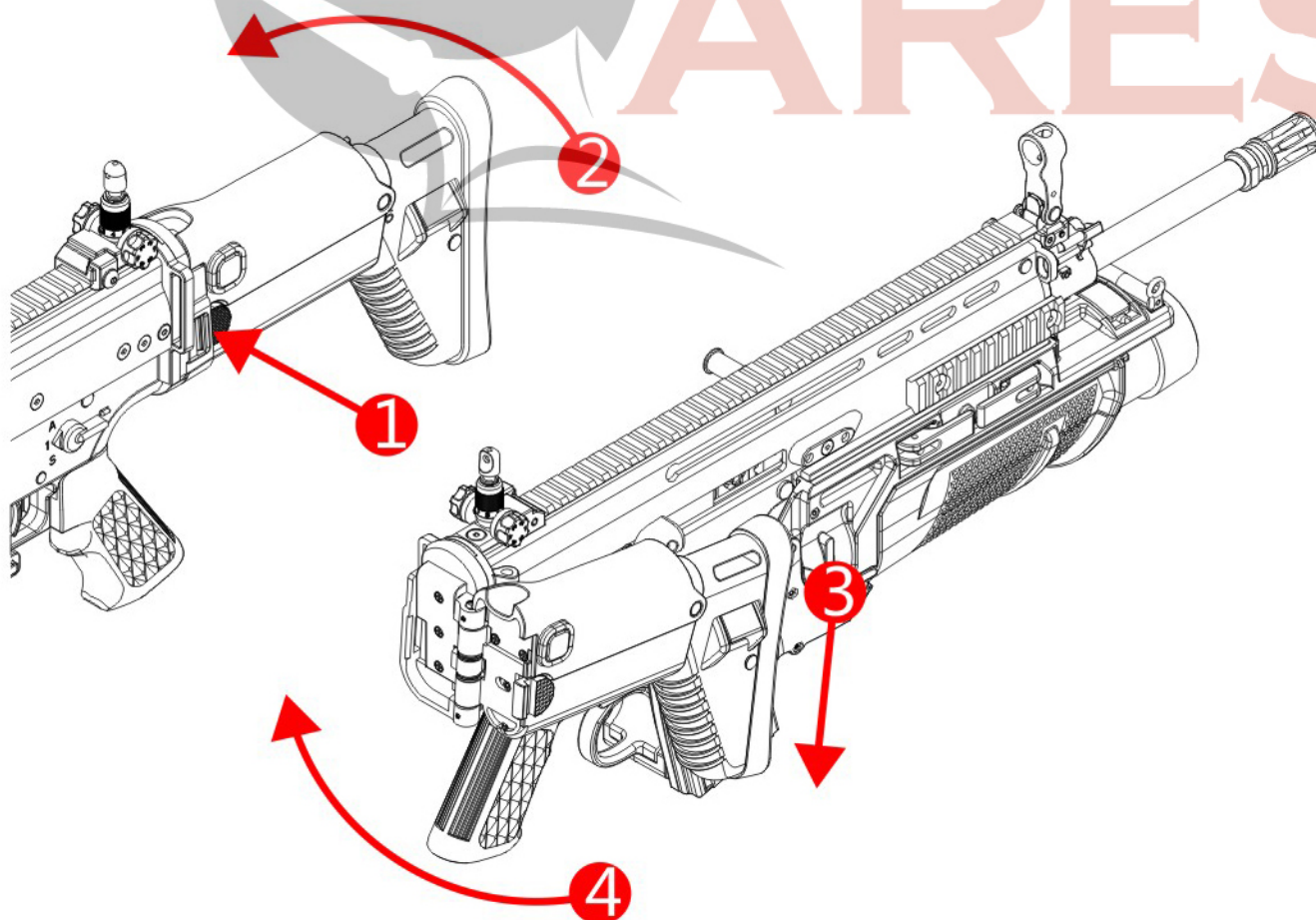
SINGLE

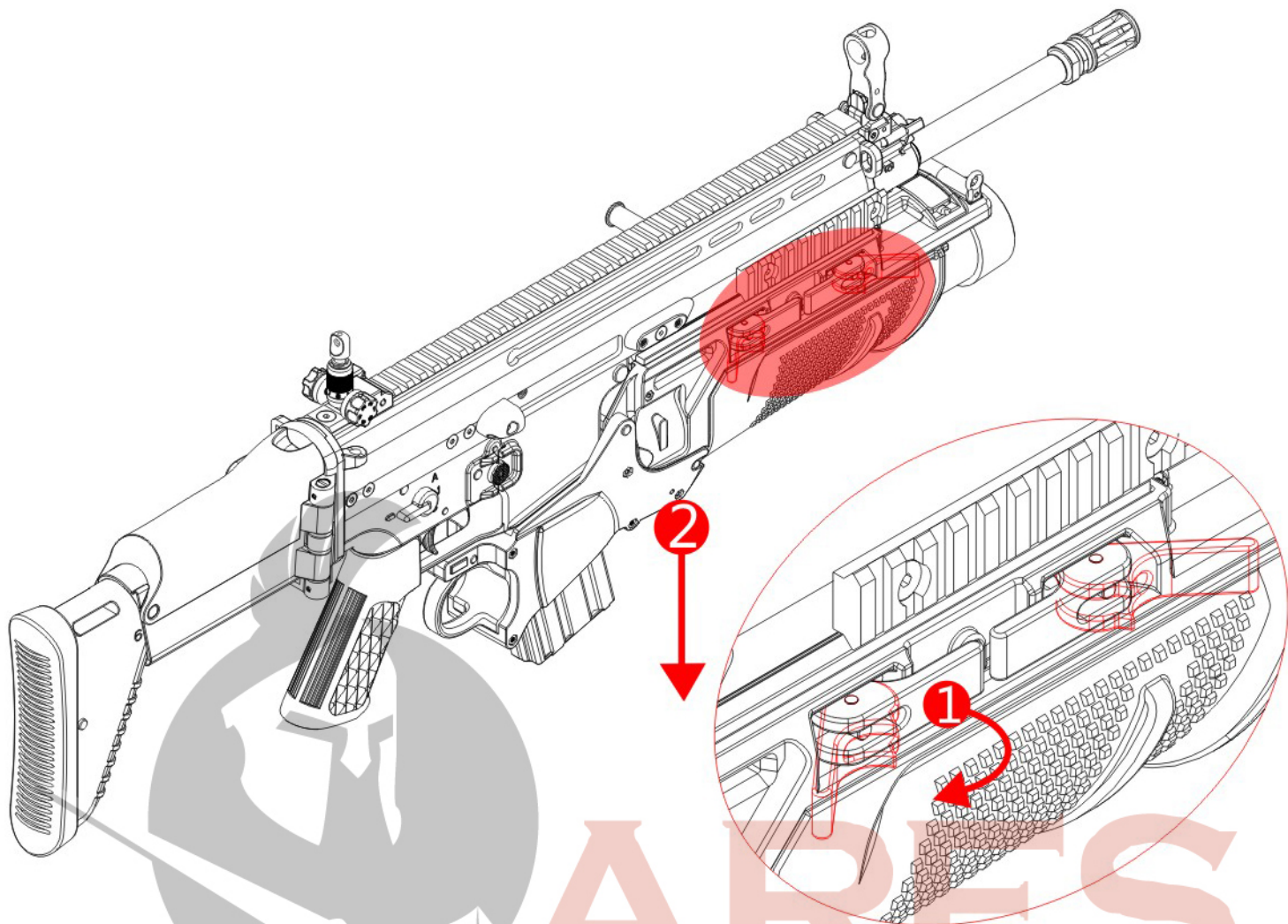


AUTO

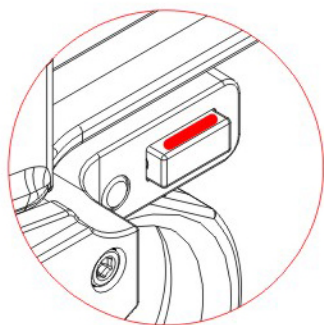


FOLDING STOCK

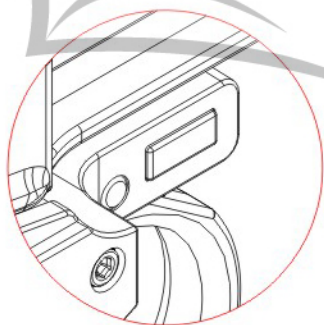




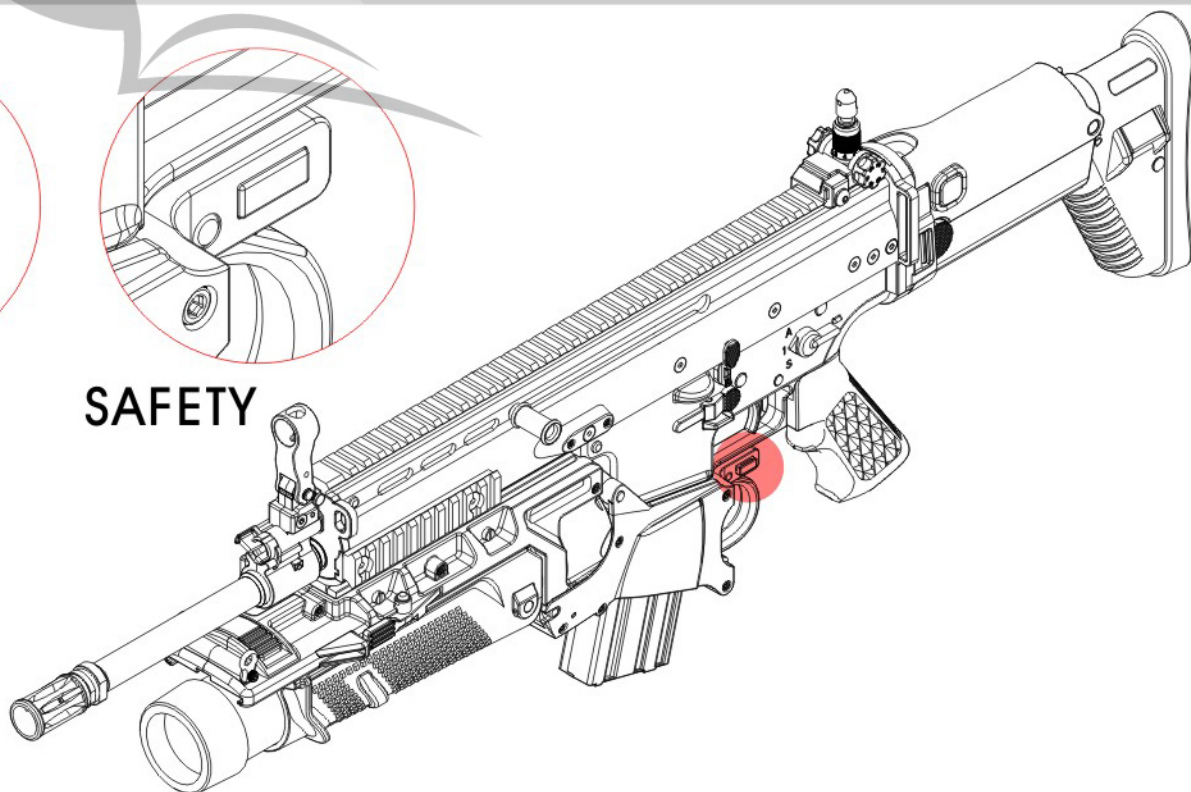
ARES

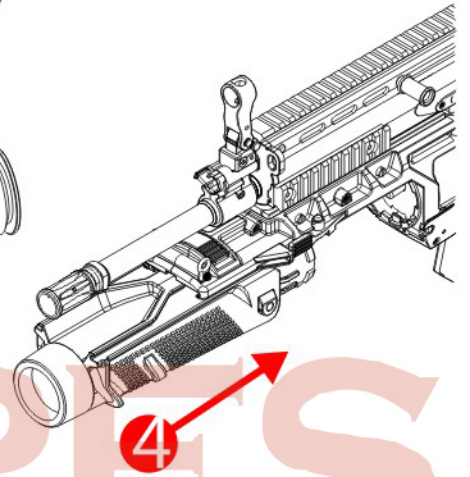
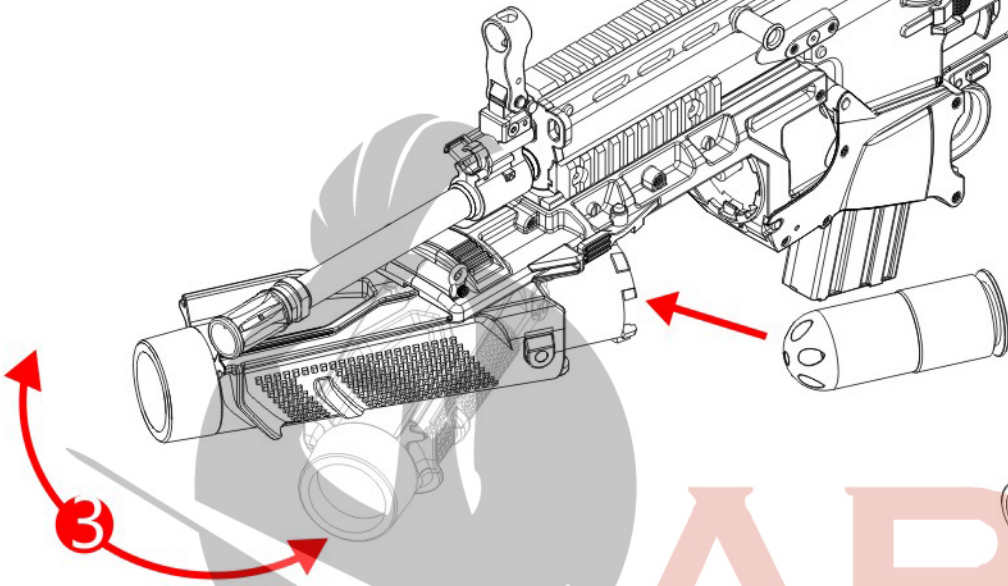
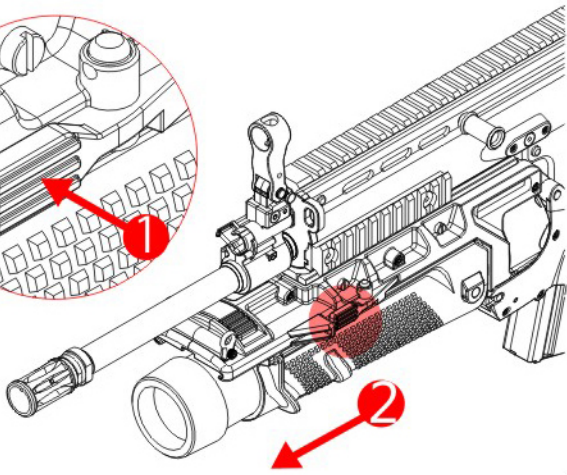
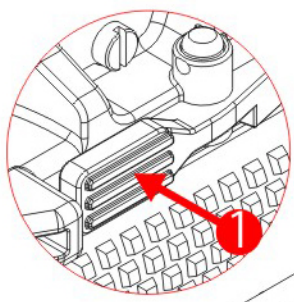


FIRE

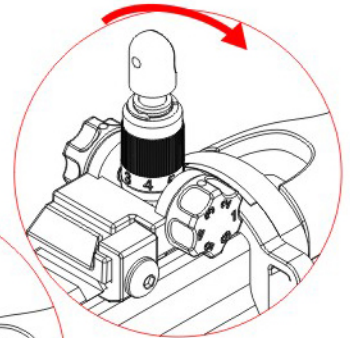
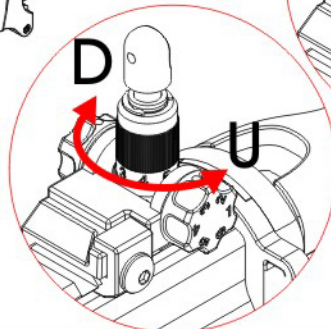
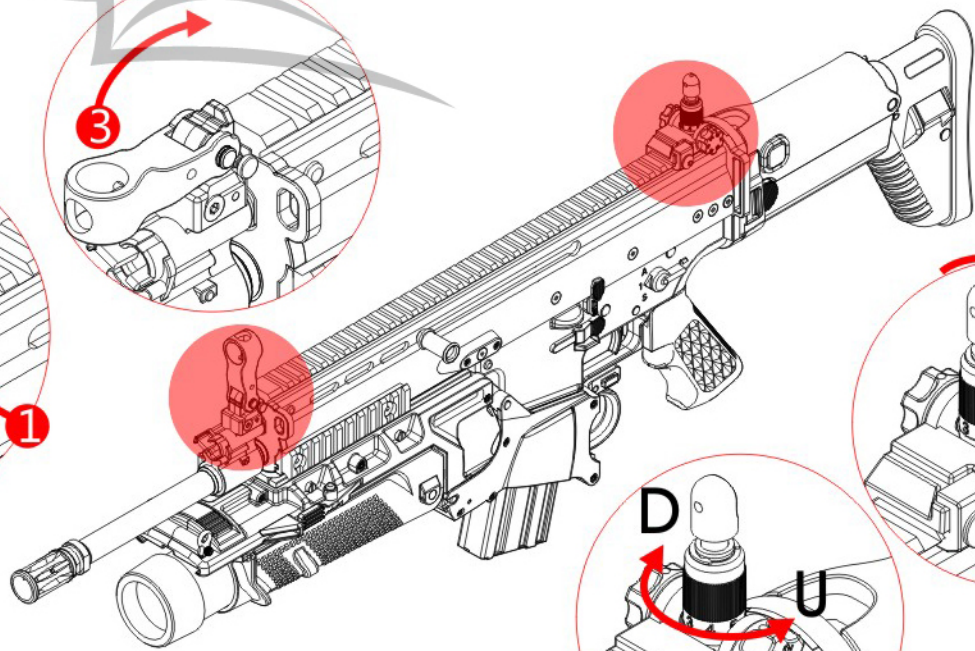
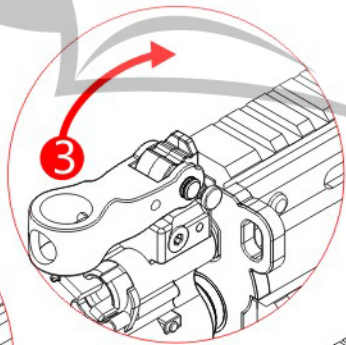
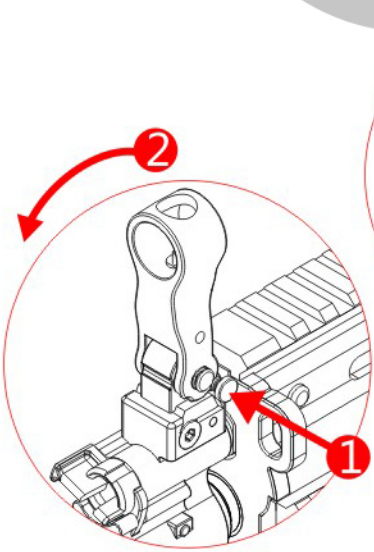


SAFETY

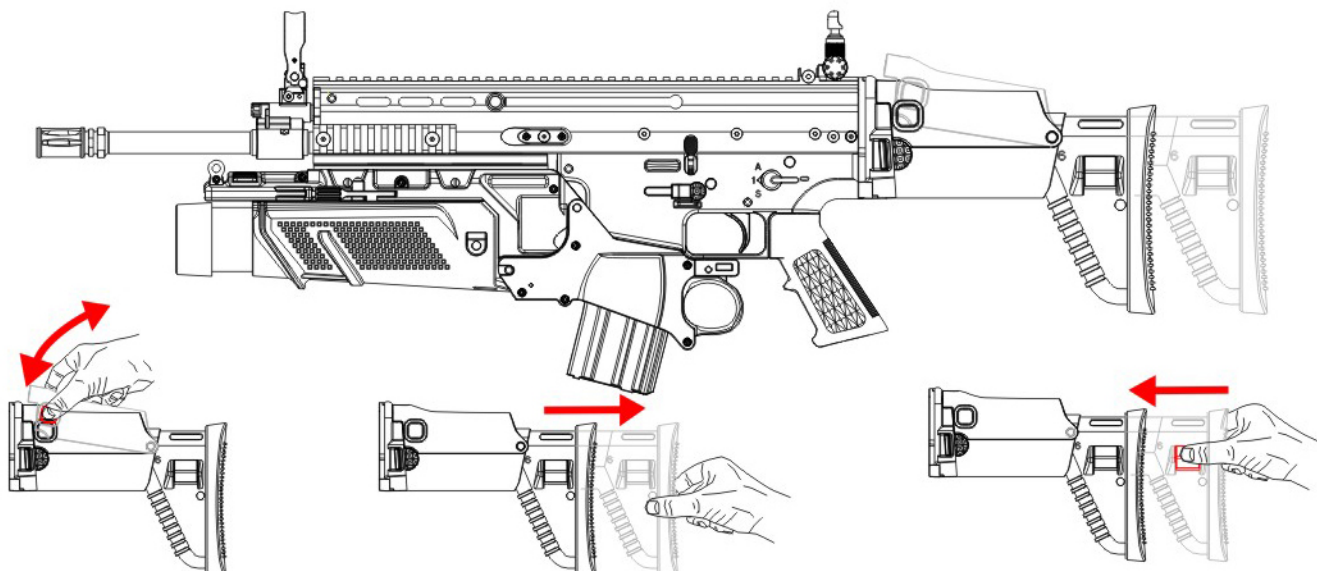




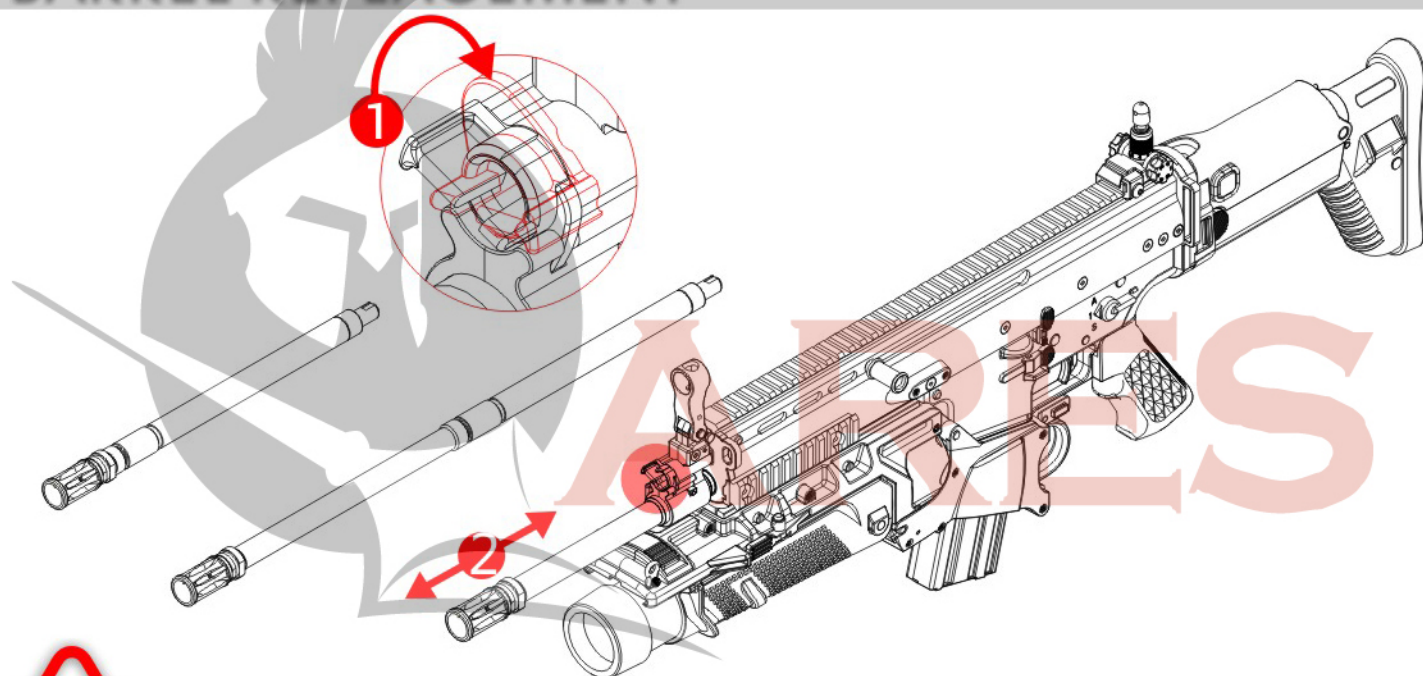
ARES



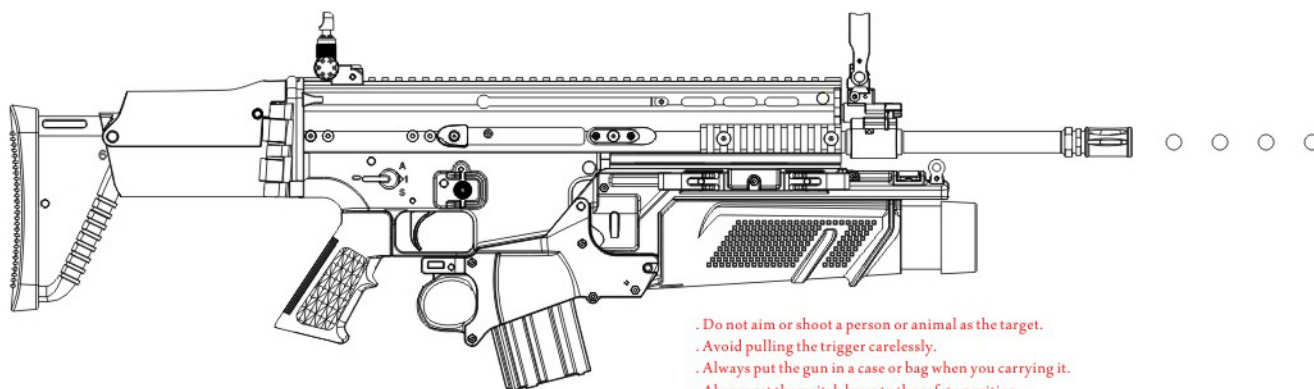
STOCK ADJUSTMENT



BARREL REPLACEMENT



WARNING



- . Do not aim or shoot a person or animal as the target.
- . Avoid pulling the trigger carelessly.
- . Always put the gun in a case or bag when you carrying it.
- . Always set the switch lever to the safety position.
- . Do not look into the gun muzzle.
- . Always wear eye protective gear.
- . Store the airsoft gun at the places out of reach by children.
- . Do not disassemble or modify the airsoft gun.